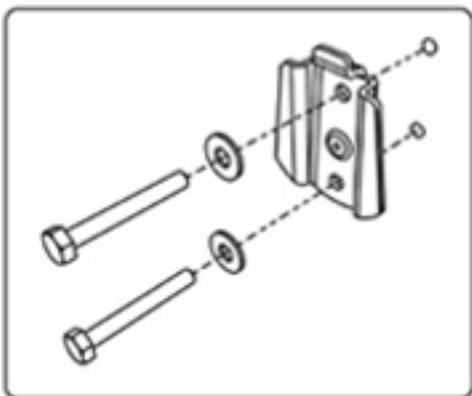
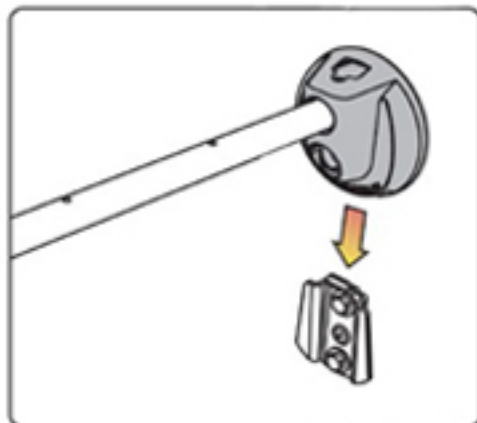


**TRAVELLER**  
**INSTALLATION**  
**OVERVIEW**

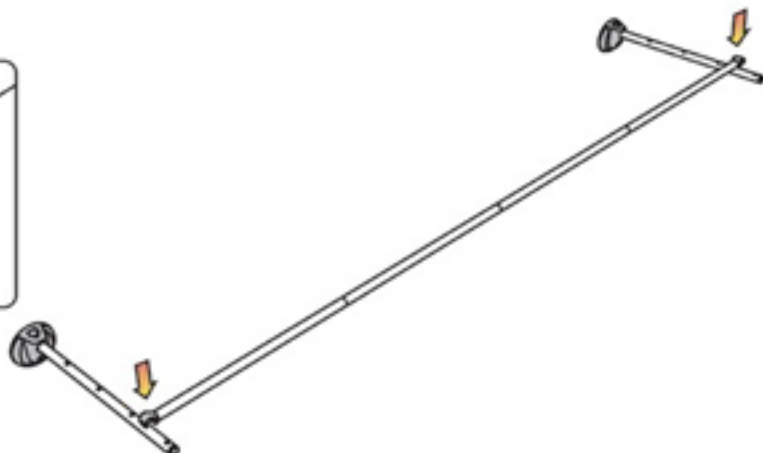
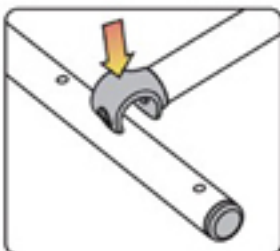
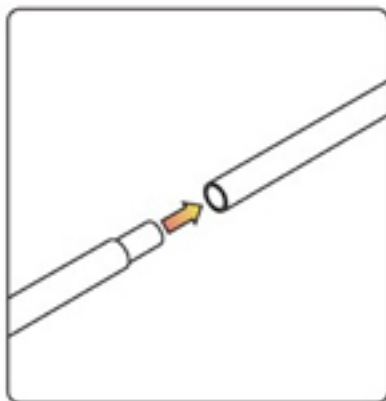
1, Attach wall plates to support structure.



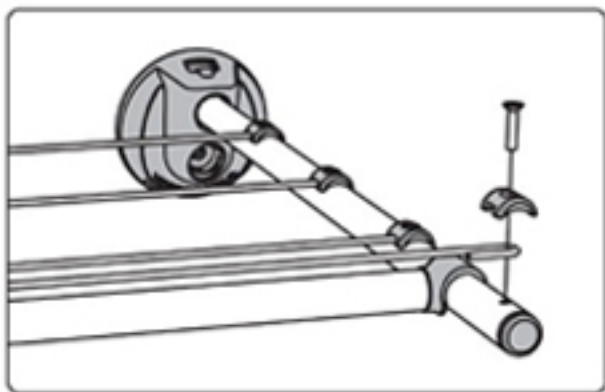
2, Slide arms onto wall plates.



3. Connect spreader bar and attach to arms.



4. Attach cords to arms.



Refer to Installation Instructions  
enclosed in package for further details